

FEATURES

- Outside Corner Mount for N2IPPTZ30X & HDPTZ33X
- Heavy Duty Steel Construction
- Compatible with Wall Mount included with:
N2IPPTZ30X & HDPTZ33X Cameras
N2PTZJB (Junction Box)

SUPPORTED MODELS

N2IPPTZ30X, HDDPTZ33X (Included with Camera) & N2PTZJB (Junction Box)

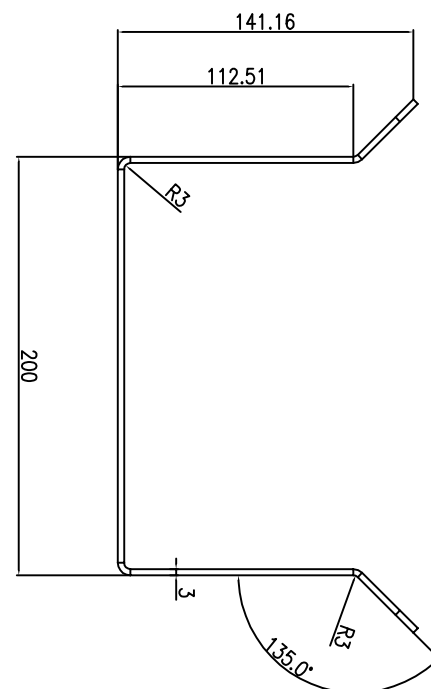


N2PTZCRNMT

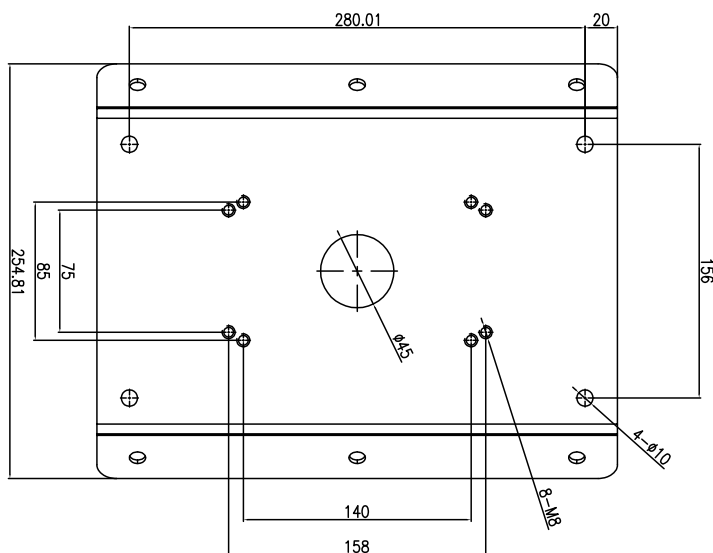
SPECIFICATIONS

General	
Material	Heavy Duty Steel
Color	White
Product Dimensions	254.8mm x 320mm x 141.1 / 10.03" (L) x 12.6" (H) x 5.6" (D)
Product Weight	4.2 kg / 9.26lb
Max Bearing Weight	24.25lb

DIMENSIONS



HOLE MARKINGS



* All specifications subject to change without notice for quality improvement