

RG59+18/2 SIAMESE TYPE 3

18 AWG CCA, CL2 CCTV PVC JACKET

Part Number:

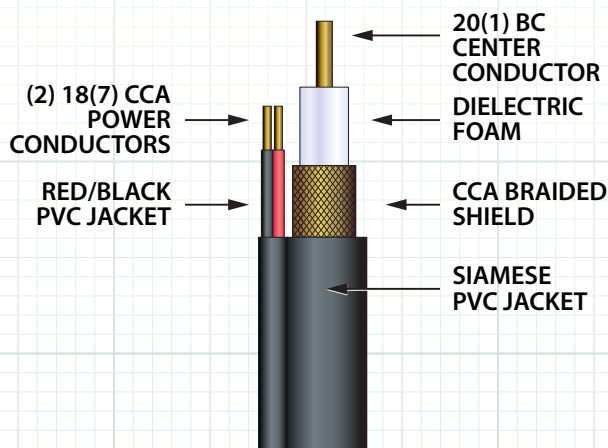
NSIAM-5394-CCLL

Base Code Color / Length

See Complete Part Number Legend & Example Below



Intertek



Reference Standards:

CE, RoHS

Electrical Characteristics:

Dielectric Strength (kV/min)	1
Impedence (ohms)	75±3.0
SRL (dB)	5~1000MHz >=20
Capacitance	16.2
Conductor DCR@20° C	10.43
DC Loop Resistance@ 20oC (ohms/kft)	14.95
Velocity Of Propagation (%)	85

Construction Characteristics:

Center Conductor	Bare Copper
Size	20AWG
Dia.(in/mm)	0.032/0.81
Insulate	Skin Foam PE
Nom. Thickness(in/mm)	0.056/1.42
Insulation Dia.(in/mm)	0.144/3.66
Braid Shield	Copper Clad Aluminum
Coverage area (%)	95
Corrosion Resistant	APD
Jacket	PVC
Nom. Thickness(in/mm)	0.030/0.76
Min. Thickness(in/mm)	0.024/0.61
Cable Dia.(in/mm)	0.236/6.00
POWER WIRE	
Conductor	Stranded Copper Clad Aluminium
Size	18 AWG
Insulation	Black & Red PVC
Insulation Dia.(in/mm)	0.067/1.70
Cabling Lay Length(in/mm)	2/50.8
Jacket	PVC
Thickness(in/mm)	0.019/0.48

Electrical Performance (@68°F.(20°C.):

Frequency (MHz)	Max. Attenuation	
	(dB/100ft)	(dB/100m)
1	0.24	0.79
10	0.76	2.50
55	2.05	6.73
100	2.60	8.53
250	4.10	13.45
400	5.37	17.60
550	5.95	19.52
750	6.98	22.87
865	7.52	24.67
1000	8.13	26.64

Mechanical Characteristics:

Test Measurements			Jacket PVC
Before Aging	Tensile Strength	(psi)	2300
	Elongation	(%)	≥450
Cold Bend		(-40±2oC/4hrs)	No crack
Jacket Longitudinal Shrinkage		%	≥5
Center Conductor Break Strength		(Lbs)	85
Operating Temperature Range		(°C)	-40~80

Part # Legend: (Example: Black, 1000', Pull Box = NSIAM-5394-CCLL)

NSIAM	5394
BASE	CODE
Color Legend	
01	White
02	Black

CC	LL	1000' RIB
COLOR	LENGTH	Reel In Box
Length / Package Legend		
53	500'	RIB
13	1000'	RIB

Cable Marking:

NSIAM-5394 RG59 20AWG BC 95% CCA BRAID 18/2(7) CCA VERIFIED TO CL2 c(ELT)us for CCTV 5108667 (Date lot code) 500FT....002FT

Note: Specification subject to change without notice